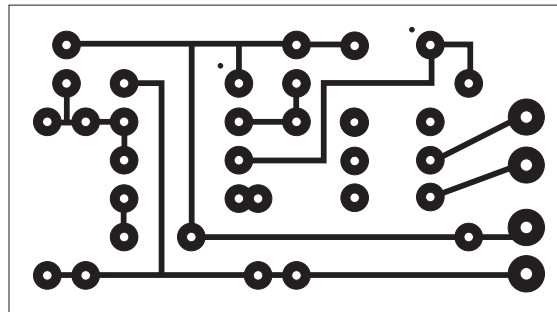
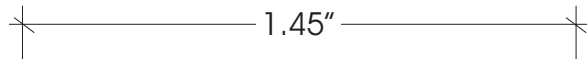
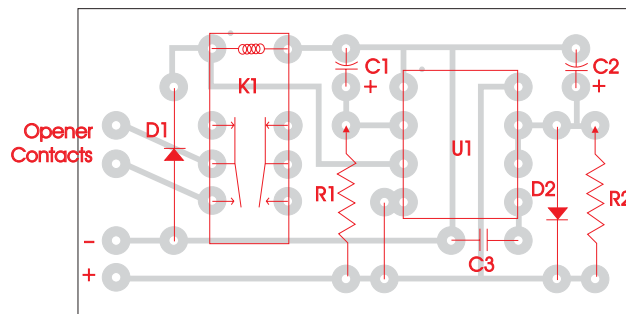


Trace Side 1X



Trace Side 2X



Component Side